

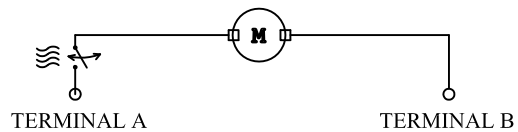
.All dimensions in millimeters

## Technical Data

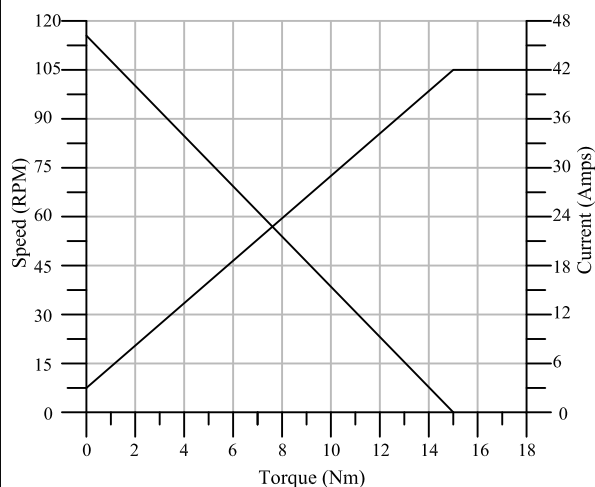
Rated Voltage:	=	12 V DC
No Load Speed:	=	116 RPM
Stall Torque:	=	15 Nm
Stall Current:	=	42 Amps
Output Gear Type:	=	9-Tooth
Output Gear Material:	=	Metal
Output Gear O. D.:	=	23.5 mm
Output Shaft Length:	=	13 mm
Output Shaft Diameter:	=	7.9 mm
Gear Housing Material:	=	Plastic
Connector Type:	=	Packard 12129487
Hall Sensor:	=	None
Protection Class:	=	IP 54
Approximative Weight:	=	0.6 Kg

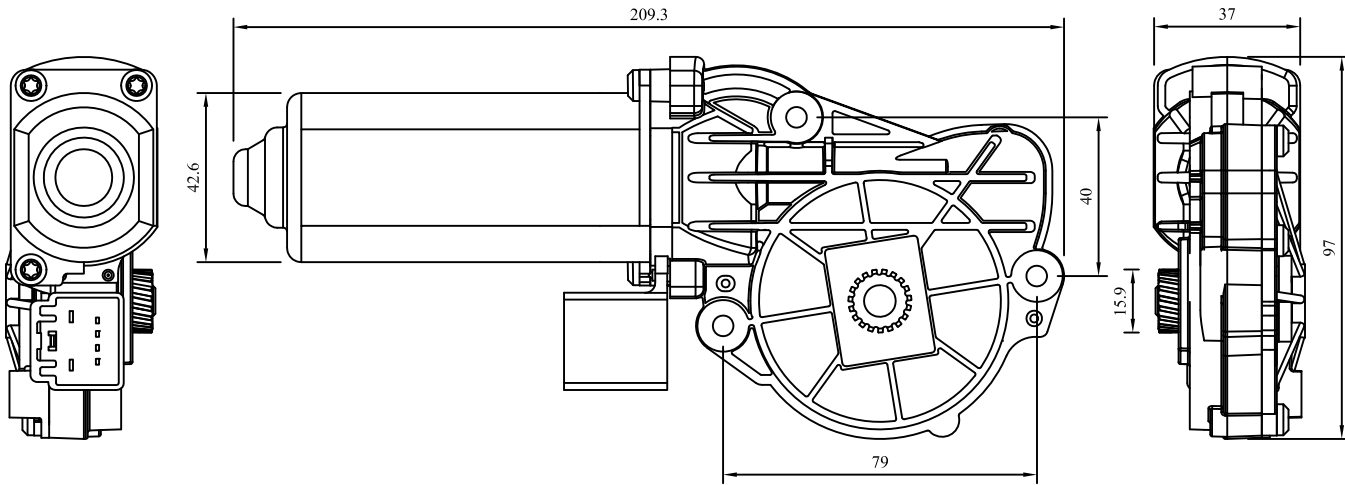
## Schematic

# 1 TERMINAL TO POSITIVE LEAD FOR COUNTERCLOCKWISE PINIO ROTATION.  
# 2 TERMINAL TO POSITIVE LEAD FOR CLOCKWISE PINIO ROTATION.



## Motor Performance



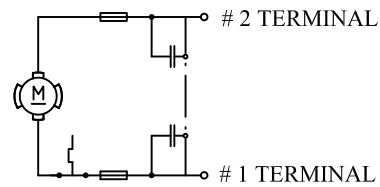


All dimensions in millimeters

## Technical Data

Rated Voltage:	= 12 V DC
No Load Speed:	= 110 RPM
Stall Torque:	= 8 Nm
Stall Current:	= 15 Amps
Output Gear Type:	= 19-Tooth
Output Gear Material:	= Metal
Output Gear O. D.:	= 15.9 mm
Gear Housing Material:	= Plastic
Connector Type:	= Yazaki 7283-5620-40
Hall Sensor:	= Melexis 90224ALVA
Protection Class:	= IP 54
Approximative Weight:	=

## Schematic



## Motor Performance

